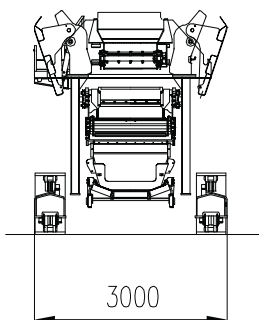
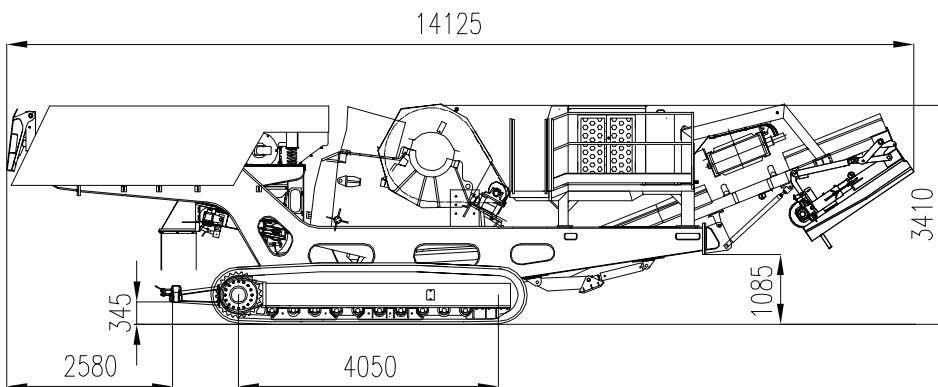
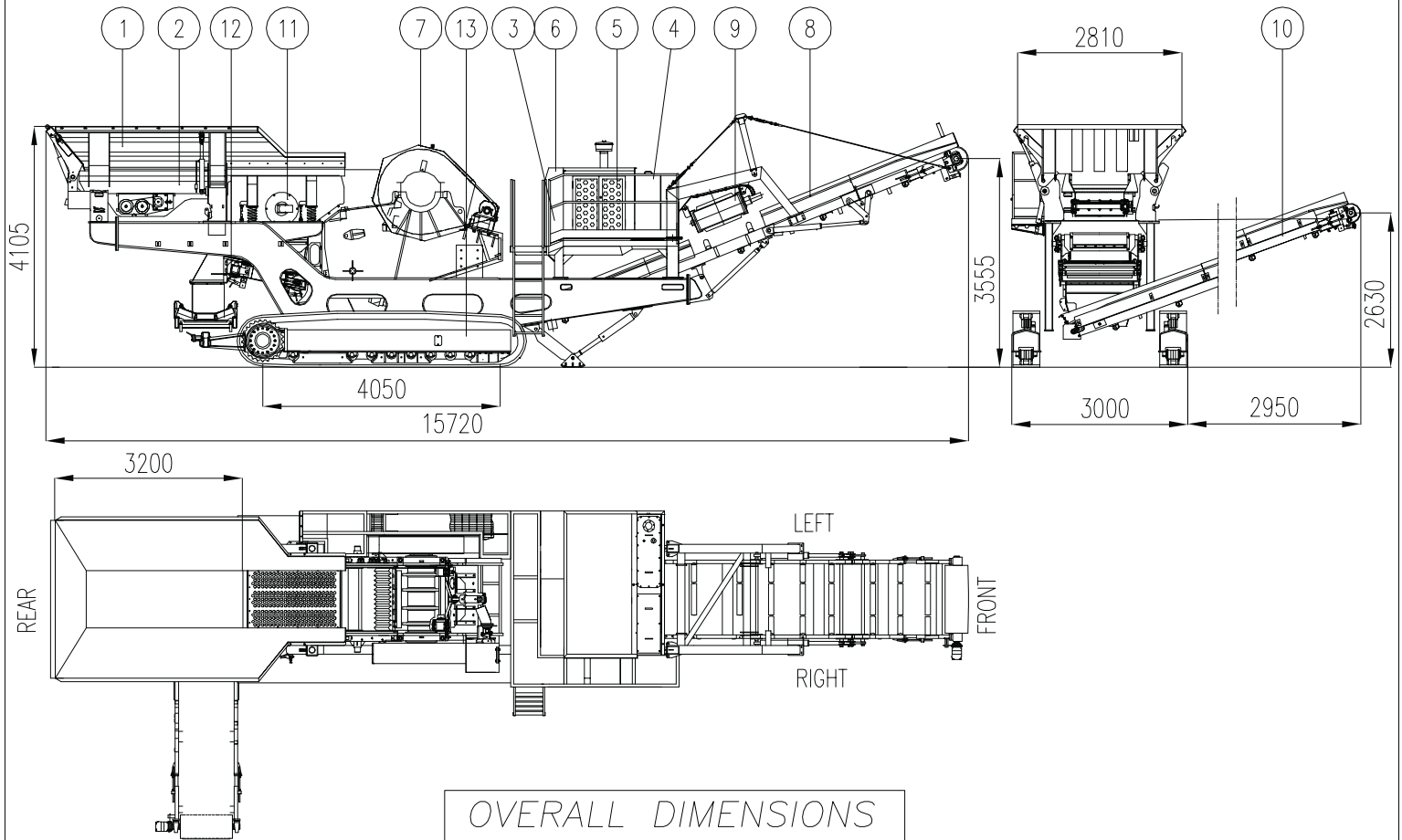


SATURNO



TRANSPORT DIMENSIONS

13	Crawlers
12	Reversible belt conveyor
11	Screen bars
10	Side belt conveyor
9	Magnetic separator
8	Main belt conveyor
7	Jaw crusher
6	Control panel
5	Engine unit
4	Oil tank
3	Hydraulic box
2	Vibrating feeder
1	Loading hopper

Pos.	Description	MODIFICATO			DATA
		D	C	A	
00	BATTISTON	CS	ZL		13/01/05
01					
02					
03					
04					

COMM. N° _____ FIDELID. N° _____ SOST. IL. DIS. N° _____ SCALA _____
 PEZZI N° _____ PESO UNITARIO _____ SORT. DAL. DIS. N° _____
 kg

DISEGNO N°
TK108AJ001L200

OM CRUSHER "SATURNO"

BASIC VERSION			
[°]	Max capacity	[t/h]	360
[°]	Min capacity	[t/h]	45
<i>Note: The capacity is variable according to feeding material type and crushing set</i>			
	Feeding size	[mm]	0/650
	Total weight without optionals	[kg]	55500
1.01	Vibrating feeder	[mm]	2900x1024
	Blind surface		
	Vibrating screen	[mm]	1070x1715
	Bars screen min-max port	[mm]	30-65
	Lower wire net, port	[mm]	25
1.02	Feeding self-adjustment		
1.03	Loading hopper (geometric capacity)	[mc]	7
1.04	Reversible belt conveyor	[m]	1.10x1.20
	Belt width	[mm]	1100
	Drums longitudinal centres	[mm]	1200
1.05	Crushing		
	Hydraulic jaws adjustment		FP108
	Crushing unit inlet	[mm]	1070x750
	Crushing unit outlet settings	[mm]	45-165
	Crushing unit outlet settings "Over Range"		
	Crushing unit weight	[kg]	21300
	12Mn2Cr Flat fixed jaw, height	[mm]	1550
	12Mn2Cr Toothed movable jaw, height	[mm]	1720
1.07	Main belt conveyor with hydraulic folding	[m]	1.10x11.45
	Belt width	[mm]	1100
	Drums longitudinal centres	[mm]	11450
	Discharge height	[mm]	3555
1.08	Drive		
	6 - Cylinder oversupplied diesel engine		
	Power at 2100 rpm	[kW]	205
1.09	Crawler		
	Crawler track width	[mm]	460
	Overall crawler width	[mm]	3000
	Crawler longitudinal centres	[mm]	4050
1.10	Dust dampening system		
1.11	Magnetic separator with mechanical and hydraulic prearrangement		

OM CRUSHER "SATURNO"

VARIANTS			
4.01	12Mn2Cr Toothed fixed jaw		
4.03	Bars surface steelwork min-max port	[mm]	20-50, 50-90
4.04	Punched plate with bearing frame		
	Diamond hole, side/thickness	[mm]	50-15, 70-20, 90-20
4.05	Anti-clogging wire net port	[mm]	30, 40
4.09	Without fitting magnetic separator		
4.10	"Over Range" configuration crusher	[mm]	70-200

OM CRUSHER "SATURNO"

OPTIONALS			
7.01*	Side belt conveyor	[m]	0.80x6.00
	Belt width	[mm]	800
	Drums longitudinal centres	[mm]	6000
	Discharge height	[mm]	2630
7.02**	Level 1 radio control		
	(Vibrating feeder start/stop; vibrating screen start/stop; emergency stop button; warning horn)		
7.03**	Level 2 radio control		
	(Vibrating feeder start/stop; vibrating screen start/stop; crawler start/stop and control; reversible belt conveyor start/stop; main belt conveyor adjustment; emergency stop button; warning horn; side walls movement;)		
7.04*	Training belt conveyor	[m]	1.00x10.00
	Belt width	[mm]	1000
	Drums longitudinal centres	[mm]	10000
	Discharge height	[mm]	4500
	(To complete with 7.05 and 7.06)		
7.05	Discharge hopper from OM CRUSHER to training belt conveyor		
7.06**	Pump for training belt conveyor		
7.08	Automatic greasing system		
7.10	Hydraulic folding hopper		
7.11	Gasoil filling pump		
7.12	Water pump for dust dampening system		

l³ The capacity is based on crushing dry calcareous bulk with appropriate size, having specific weight of 1,6 t/m³ and 150 MPa (1500 kg/cm²) compression strength resistance.

Bulk waste material will tend to change considerably the capacity in relation to its conditioning, size and quantity of metallic components contained.

For material having compression strength resistance exceeding 250MPa, please contact directly the OM Technical Department.

* Components transported separately

** Alternative optionals (cannot be operated simultaneously)

Note: Availability of chosen variants and optionals must always be checked up

The specifications are not binding.

Officine Meccaniche di Ponzano Veneto S.p.A. reserves the right to introduce modifications without notice.