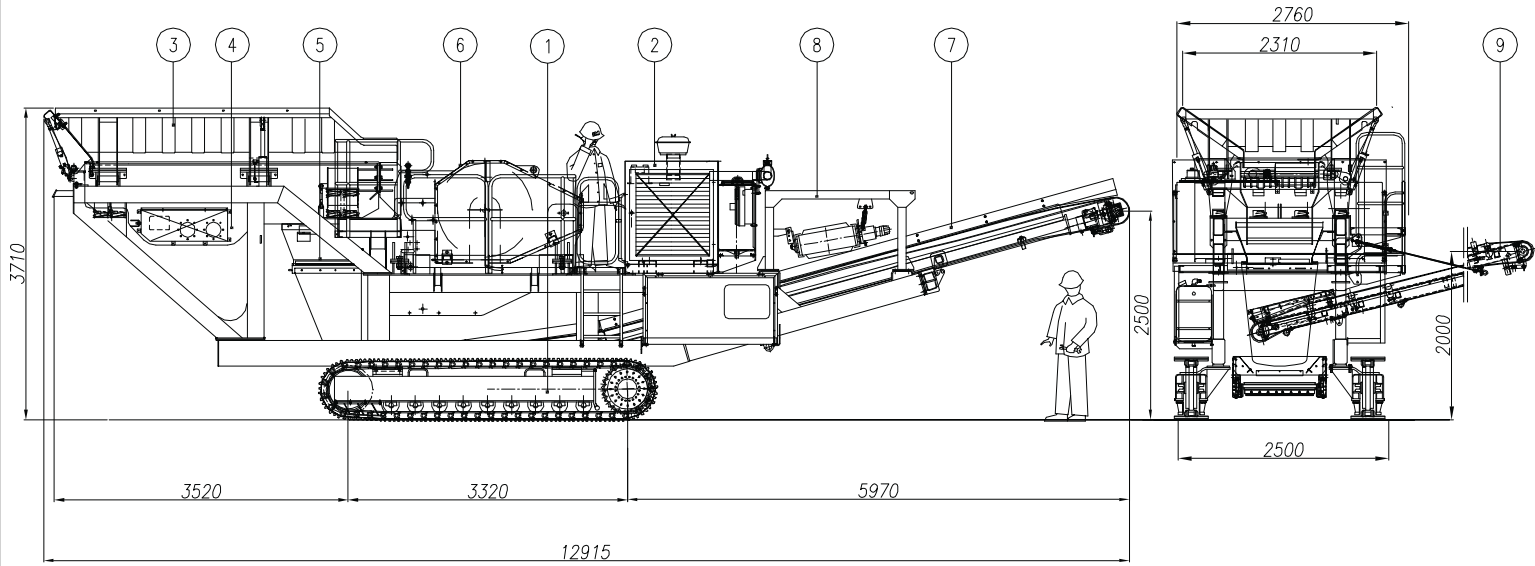
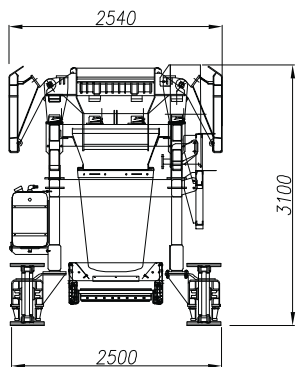
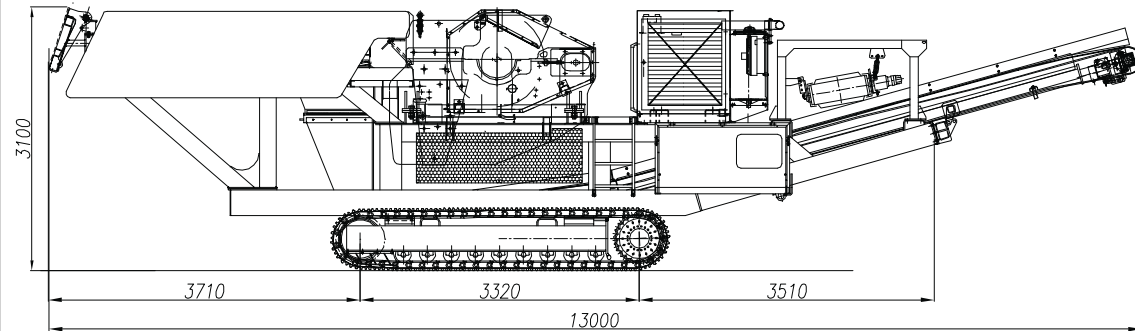
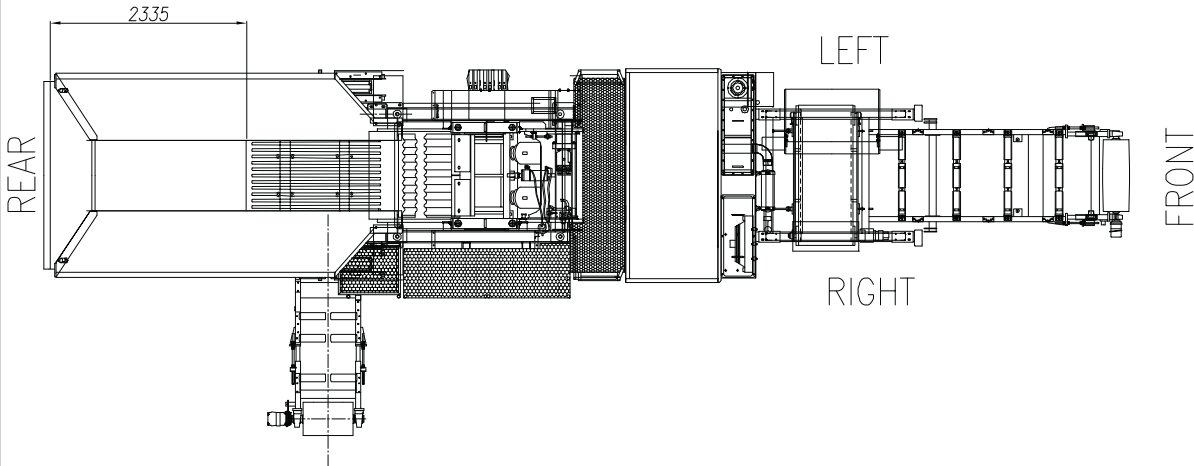


# ARGO



OVERALL DIMENSIONS



TRANSPORT DIMENSIONS

9	Side belt conveyor
8	Magnetic separator
7	Belt conveyor
6	Crusher
5	AVL outlet
4	Vibrating feeder
3	Loading hopper
2	Power unit
1	Crawler
Description	

		MODIFICATO			DATA
ID	ZAGG L.	MB	CG		31/01/02
01					
02					
03					
04					

**OM**  
 OFFICINE MECCANICHE DI PONZANO VENETO SPA  
 31050 Ponzano Veneto - Treviso - ITALIA  
 OM TRACK  
 ARGO

COMPL. N°	FOLIO N°	SCET. IL. DIS. N°	SCALA	DISSEGNO N°
PEZZI N°	PESO UNITARIO	BORISDAL. DIS. N°		TK140.AJ.001.L2.00

A meno di legge il costruttore si riserva la proprietà di questo disegno con diritto di riproporre o di mettere comunque in commercio il nostro sollecitazione scritta.

## OM CRUSHER "ARGO"

BASIC VERSION			
[°]	<b>Max capacity</b>	[t/h]	<b>150</b>
[°]	<b>Min capacity</b>	[t/h]	<b>35</b>
<b>Note:</b> <i>The capacity is variable according to feeding material type and crushing set</i>			
	<b>Feeding size</b>	[mm]	<b>0/500</b>
	<b>Total weight without optionals</b>	[kg]	<b>30400</b>
<b>1.01</b>	<b>Feeding</b>	[mm]	<b>3760x920</b>
	vibrating feeder c/w bars grid	[mm]	<b>10-45</b>
<b>1.02</b>	<b>Feeding self-adjustment</b>		
<b>1.03</b>	<b>Loading hopper</b> (geometric capacity)	[mc]	<b>4</b>
	cylinder set for hydraulic folding hopper		
<b>1.05</b>	<b>Crushing</b>		
	jaw crusher with hydraulic regulation		<b>FP105</b>
	Crushing unit inlet	[mm]	<b>1000x600</b>
	Crushing unit outlet settings	[mm]	<b>35-115</b>
	Crushing unit weight	[kg]	<b>11500</b>
	12Mn2Cr Toothed static jaw, height	[mm]	<b>1100</b>
	12Mn2Cr Toothed swing jaw, height	[mm]	<b>1275</b>
<b>1.07</b>	<b>Main belt conveyor</b>	[m]	<b>0.80x9.45</b>
	Belt width	[mm]	<b>800</b>
	Drums longitudinal centres	[mm]	<b>9450</b>
	Discharge height	[mm]	<b>2500</b>
<b>1.08</b>	<b>Power unit</b>		
	6 - Cylinder oversupplied diesel engine		
	Power at 2400 rpm	[kW]	<b>138</b>
<b>1.09</b>	<b>Crawler</b>		
	Crawler track width	[mm]	<b>400</b>
	Overall crawler width	[mm]	<b>2500</b>
	Crawler longitudinal centres	[mm]	<b>3320</b>
<b>1.10</b>	<b>Dust suppression system</b>		
<b>1.11</b>	<b>Magnetic separator with mechanical and hydraulic prearrangement</b>		



31050 PONZANO VENETO - TREVISO - ITALIA - Via Postumia, 62

Tel. **+39 0422 44 13** Fax **+39 0422 44 14 99**

**INTERNET** - Home-Page:<http://www.omspa.it> - E-Mail:[omspa@omspa.it](mailto:omspa@omspa.it)

## OM CRUSHER "ARGO"

### VARIANTS

<b>4.01</b>	<b>12Mn2Cr Flat static jaw</b>		
<b>4.03</b>	<b>Bars grid - spacing min/max</b>	[mm]	<b>20-50, 40-70</b>
<b>4.04</b>	<b>Punched plate with frame</b>		
	Diamond hole - side/thickness	[mm]	<b>40-15, 50-15, 70-20</b>
<b>4.09</b>	<b>Configuration without fitting magnetic separator</b>		
<b>4.10</b>	<b>"Over Range" configuration crusher</b>	[mm]	<b>65-145</b>

## OM CRUSHER "ARGO"

OPTIONALS			
<b>7.01*</b>	<b>Side belt conveyor</b>	[m]	<b>0.50x4.00</b>
	Belt width	[mm]	<b>500</b>
	Drums longitudinal centres	[mm]	<b>4000</b>
	Discharge height	[mm]	<b>2000</b>
<b>7.02**</b>	<b>Radio remote control Level 1</b>		
	(Vibrating feeder start/stop; emergency stop button; warning horn)		
<b>7.03**</b>	<b>Radio remote control Level 2</b>		
	(Vibrating feeder start/stop; tracks control start/stop; emergency stop button; warning sirene; side walls movement)		
<b>7.04*</b>	<b>Stock pile radial conveyor</b>	[m]	<b>0.8x10.00</b>
	Belt width	[mm]	<b>800</b>
	Drums longitudinal centres	[mm]	<b>10000</b>
	Discharge height	[mm]	<b>4500</b>
	(To complete with 7.05 and 7.06)		
<b>7.05</b>	<b>Discharge hopper from OM CRUSHER to stock pile radial conveyor</b>		
<b>7.06**</b>	<b>Pump for stock pile radial conveyor</b>		
<b>7.07**</b>	<b>Pump for VV1023 screening unit</b>		
<b>7.08</b>	<b>Automatic greasing system</b>		
<b>7.11</b>	<b>Gasoil filling pump</b>		
<b>7.12</b>	<b>Water pump for dust suppression system</b>		

[°] **The capacity is based on crushing dry calcareous bulk with appropriate size, having specific weight of 1,6 t/m<sup>3</sup> and 150 MPa (1500 kg/cm<sup>2</sup>) compression strength resistance. Bulk waste material will tend to change considerably the capacity in relation to its conditioning, size and quantity of metallic components contained.**

**For the crushing of materials with a compressive strength over 250MPa it foreseen the "Over Range" configuration and in any case it is recommended to contact directly OM Technical Department.**

\* Components transported separately

\*\* Alternative optionals (cannot be operated simultaneously)

Note: Availability of chosen variants and optionals must always be checked up

The specifications are not binding.

Officine Meccaniche di Ponzano Veneto S.p.A. reserves the right to introduce modifications without notice.